

Specification sheet

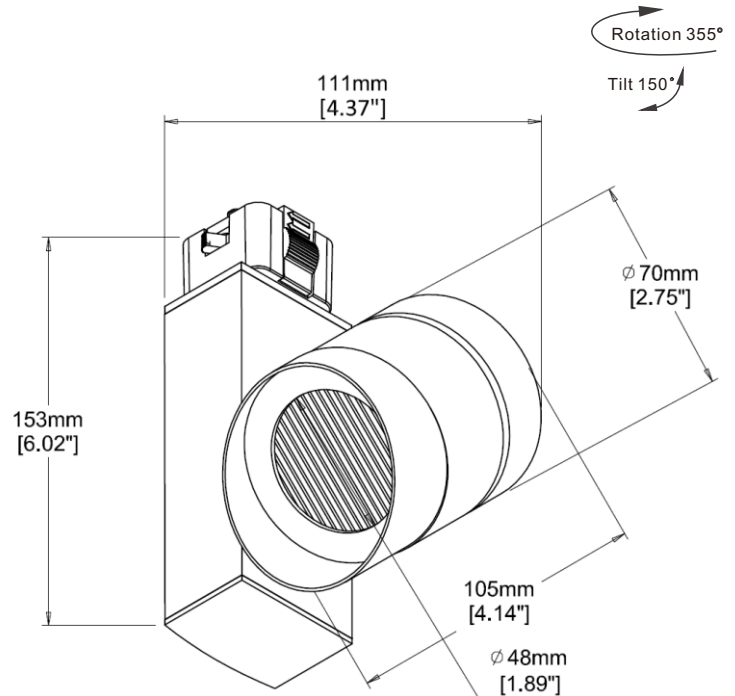
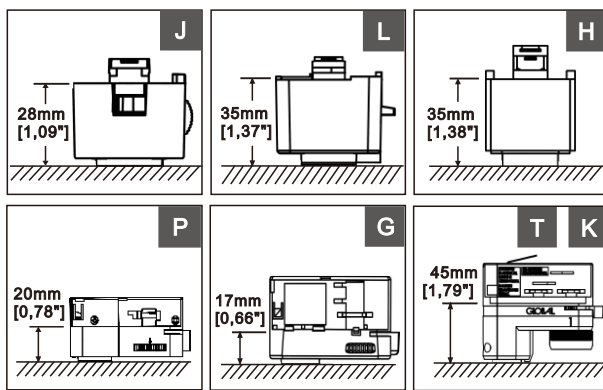
REV.1

Classic VW3 Vertical Wash Maxi (Global / Juno / Halo / Lightolier/ Power Gear)



1. Juno is a registered trademark of Juno Lighting
2. Halo is a registered trademark of Cooper Lighting
3. Lightolier is a registered trademark of Philips Lighting

SHOWN IN JUNO ADAPTER



Description

Classic VW3 is a high performance and versatile track wallwasher designed to deliver evenly distributed linear flood lighting effect by exploiting a linear spread glass lens. The angle-cut bezel directs light toward the direction of the wall while reducing glare. This luminaire can tilt up to 100° for maximum adjustability tailored to meet the requirements of individual applications. Integrated class 2 isolated driver is fine-tuned to provide best dimming performance and efficacy for this luminaire. CLS VW3 is available in Juno, Halo, Lightolier, Global, and Power Gear track adapter configurations.

Features

LED	CREE CXB1820
Color temperature	2700K/ 3000K/ 3500K/ 4000K
Optics	Wide 42° and linear spread glass lens
Driver	Integrated class 2 driver, power factor >0.90

Performance

Delivered output	Up to 1267 lm
Power consumption	20W
Color rendering	80 CRI (90 CRI optional)
CBCP	Wide 2054cd

Electrical and Control

Input voltage	See the ordering code
Control	TRIAC/ELV dimming
Feature	Overload & short circuit protection.

Construction

Material	Die-cast Aluminum
Finishes	Black/ White
Lens	Reflectors and linear spread glass lens

Rating/ Certification/ Warranty

- Dry and damp Locations
- ROHS compliant
- UL classified E465197
- 5 years/ 50,000 hrs warranty

Ordering Code Information

PRODUCT	Track System	LUMEN	COLOR TEMPERATURE	FINISH	BEAM ANGLE	INPUT VOLTAGE
CLS VW3	H	16	27	AL	W	1

CLS VW3

H Halo track compatible
J Juno track compatible
L Lightolier track compatible
G Global-3 circuit, Ga69
K Global HTEK HTEK100
P Power Gear- 3 wire, 3 circuit
T Global TEK, TEK100

16 1600lm

27 (2700K)
 30 (3000K)
 35 (3500K)
 40 (4000K)

WH (White)
 BK (Black)
 AL (Aluminium)

W (Wide) / 42 deg.

1 (120V)
 2 (120-240V)
 3 (120-277V)
 4 (220-240V)

Photometric Data : Distribution Curve

Classic VW3 Vertical Wash Maxi

42° Beam Spread
 3000K
 > 1267 lm
 Efficacy >59LPW

